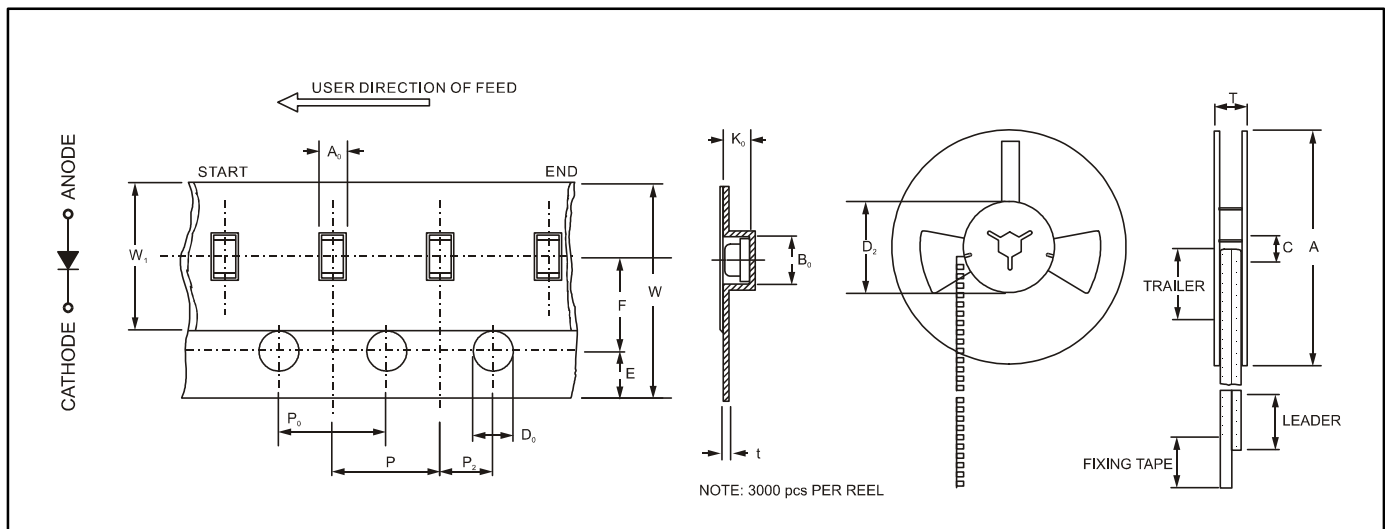




# TAPE AND REEL SURFACE MOUNT CHIP LED LAMPS

- **DEVICE NUMBER: BL-Hxxx6G-TRB**
- **FEATURES:**
  - Compatible with automatic placement equipment
  - Surface Mount assembly lamp
  - High efficiency low power consumption
  - Long life solid state reliability
- **TAPING AND PACKAGING SPECIFICATION**

ITEM	SYMBOL	SPECIFICATION			
		Minimum		Maximum	
		mm	inch	mm	inch
Tape Feed Hole Diameter (DIA)	$D_0$	1.40	0.055	1.60	0.063
Feed Hole Location	E	1.65	0.064	1.85	0.073
Centers Line Dimensions Length Direction	F	3.45	0.135	3.55	0.139
Compartment Depth	$K_0$	0.45	0.018	0.55	0.022
Compartment Pitch	P	3.90	0.153	4.10	0.161
Sprocket Hole Diameter	$P_0$	3.90	0.153	4.10	0.161
Centers Line Dimensions Length Direction	$P_2$	1.95	0.076	2.05	0.080
Carrier Tape Thickness	t			0.30	0.012
Carrier Tape Width	W	7.70	0.303	8.30	0.326
Flange Diameter	A	178.0	7.008	180.0	7.087
Hub Spindle Hole	C	12.5	0.492	13.50	0.531
Hub Diameter	$D_2$	70.00	2.755	72.00	2.830
Fixing Tape Width	$W_1$	5.25	0.206	5.35	0.210
Flange Space Between Flanges	T	12.50	0.492	13.50	0.531
Compartment Length	$A_0$	0.85	0.033	0.95	0.037
Compartment Width	$B_0$	1.70	0.067	1.80	0.071

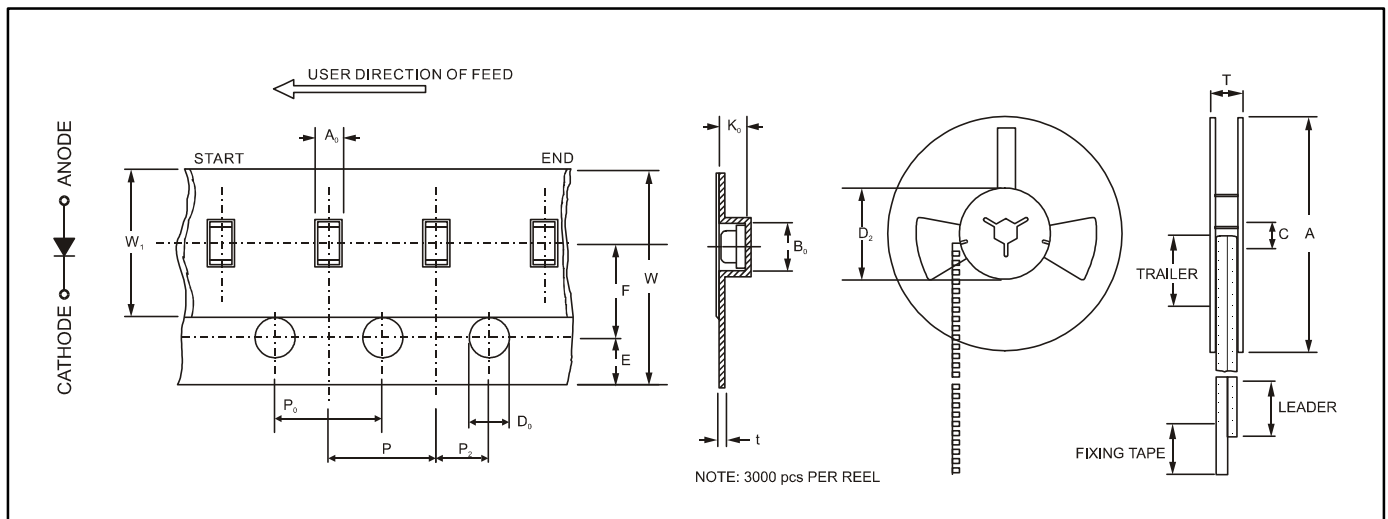




# TAPE AND REEL SURFACE MOUNT CHIP LED LAMPS

- **DEVICE NUMBER: BL-Hxxx6A-TRB**
- **FEATURES:**
  - Compatible with automatic placement equipment
  - Surface Mount assembly lamp
  - High efficiency low power consumption
  - Long life solid state reliability
- **TAPING AND PACKAGING SPECIFICATION**

ITEM	SYMBOL	SPECIFICATION			
		Minimum		Maximum	
		mm	inch	mm	inch
Tape Feed Hole Diameter (DIA)	$D_0$	1.40	0.055	1.60	0.063
Feed Hole Location	$E$	1.65	0.064	1.85	0.073
Centers Line Dimensions Length Direction	$F$	3.45	0.135	3.55	0.139
Compartment Depth	$K_0$	0.65	0.026	0.75	0.030
Compartment Pitch	$P$	3.90	0.153	4.10	0.161
Sprocket Hole Diameter	$P_0$	3.90	0.153	4.10	0.161
Centers Line Dimensions Length Direction	$P_2$	1.95	0.076	2.05	0.080
Carrier Tape Thickness	$t$			0.30	0.012
Carrier Tape Width	$W$	7.70	0.303	8.30	0.326
Flange Diameter	$A$	178.0	7.008	180.0	7.087
Hub Spindle Hole	$C$	12.50	0.492	13.50	0.531
Hub Diameter	$D_2$	70.00	2.755	72.00	2.830
Fixing Tape Width	$W_1$	5.25	0.206	5.35	0.210
Flange Space Between Flanges	$T$	12.50	0.492	13.50	0.531
Compartment Length	$A_0$	0.85	0.033	0.95	0.037
Compartment Width	$B_0$	1.70	0.067	1.80	0.071

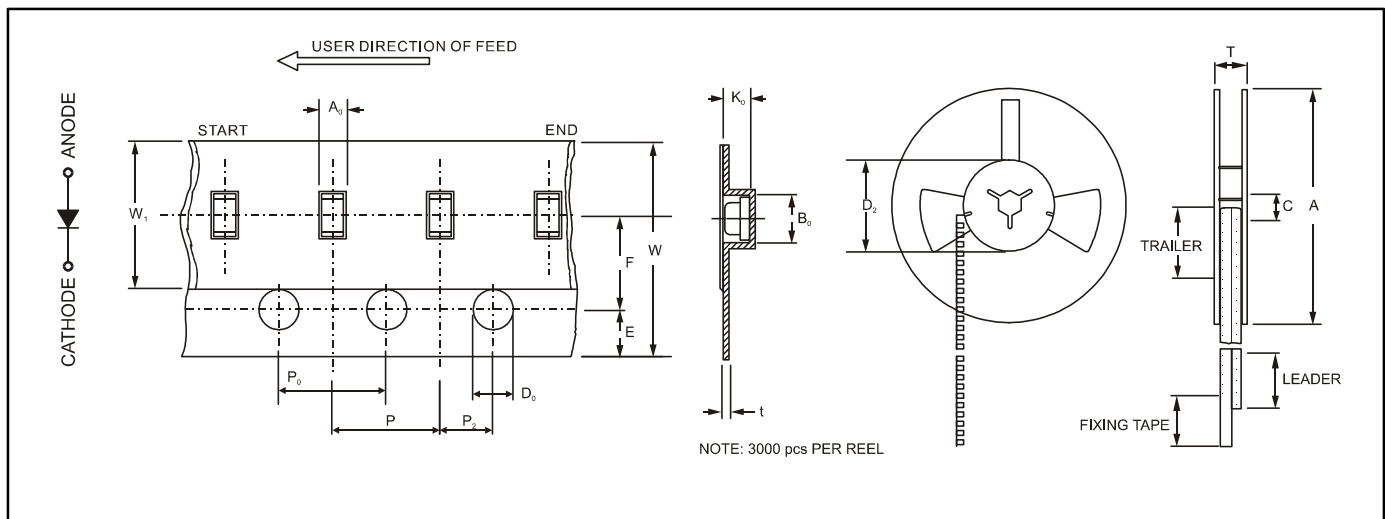




# TAPE AND REEL SURFACE MOUNT CHIP LED LAMPS

- **DEVICE NUMBER: BL-Hxxx6D-TRB**
- **FEATURES:**
  - Compatible with automatic placement equipment
  - Surface Mount assembly lamp
  - High efficiency low power consumption
  - Long life solid state reliability
- **TAPING AND PACKAGING SPECIFICATION**

ITEM	SYMBOL	SPECIFICATION			
		Minimum		Maximum	
		mm	inch	mm	inch
Tape Feed Hole Diameter (DIA)	$D_0$	1.40	0.055	1.60	0.063
Feed Hole Location	E	1.65	0.064	1.85	0.073
Centers Line Dimensions Length Direction	F	3.45	0.135	3.55	0.139
Compartment Depth	$K_0$	0.94	0.037	1.14	0.045
Compartment Pitch	P	3.90	0.153	4.10	0.161
Sprocket Hole Diameter	$P_0$	3.90	0.153	4.10	0.161
Centers Line Dimensions Length Direction	$P_2$	1.95	0.076	2.05	0.080
Carrier Tape Thickness	t			0.30	0.012
Carrier Tape Width	W	7.70	0.303	8.30	0.326
Flange Diameter	A	178.0	7.008	180.0	7.087
Hub Spindle Hole	C	12.50	0.492	13.50	0.531
Hub Diameter	$D_2$	70.00	2.755	72.00	2.830
Fixing Tape Width	$W_1$	5.25	0.206	5.35	0.210
Flange Space Between Flanges	T	12.50	0.492	13.50	0.531
Compartment Length	$A_0$	0.98	0.039	1.18	0.046
Compartment Width	$B_0$	1.78	0.070	1.98	0.078

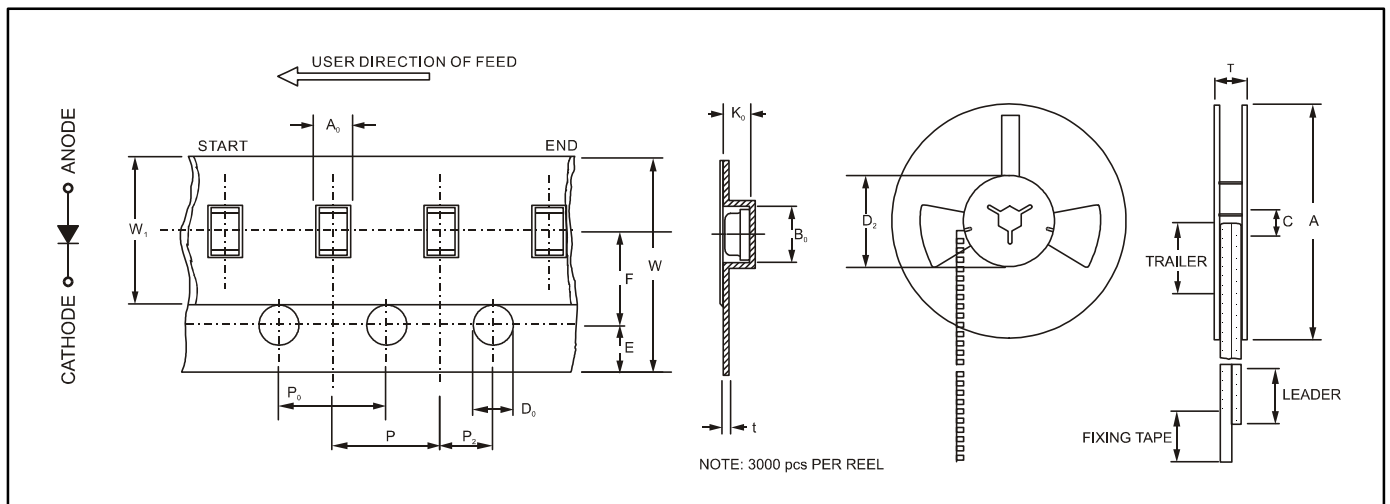




# TAPE AND REEL SURFACE MOUNT CHIP LED LAMPS

- **DEVICE NUMBER: BL-Hxxx5A-TRB**
- **FEATURES:**
  - Compatible with automatic placement equipment
  - Surface Mount assembly lamp
  - High efficiency low power consumption
  - Long life solid state reliability
- **TAPING AND PACKAGING SPECIFICATION**

ITEM	SYMBOL	SPECIFICATION			
		Minimum		Maximum	
		mm	inch	mm	inch
Tape Feed Hole Diameter (DIA)	$D_0$	1.40	0.055	1.60	0.063
Feed Hole Location	$E$	1.65	0.064	1.85	0.073
Centers Line Dimensions Length Direction	$F$	3.45	0.135	3.55	0.139
Compartment Depth	$K_0$	1.20	0.047	1.40	0.055
Compartment Pitch	$P$	3.90	0.153	4.10	0.161
Sprocket Hole Diameter	$P_0$	3.90	0.153	4.10	0.161
Centers Line Dimensions Length Direction	$P_2$	1.95	0.076	2.05	0.080
Carrier Tape Thickness	$t$			0.30	0.012
Carrier Tape Width	$W$	7.70	0.303	8.30	0.326
Flange Diameter	$A$	178.0	7.008	180.0	7.087
Hub Spindle Hole	$C$	12.50	0.492	13.50	0.531
Hub Diameter	$D_2$	70.00	2.755	72.00	2.830
Fixing Tape Width	$W_1$	5.25	0.206	5.35	0.210
Flange Space Between Flanges	$T$	12.50	0.492	13.50	0.531
Compartment Length	$A_0$	1.32	0.052	1.52	0.060
Compartment Width	$B_0$	2.16	0.085	2.36	0.093

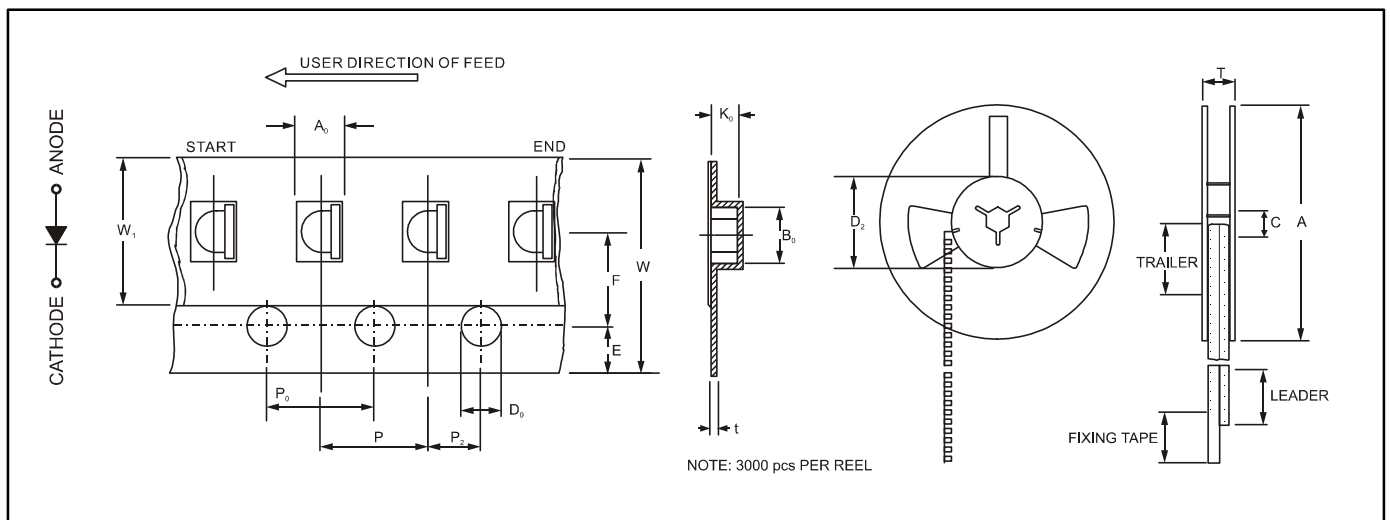




# TAPE AND REEL SURFACE MOUNT CHIP LED LAMPS

- **DEVICE NUMBER: BL-Hxxx3-TRB**
- **FEATURES:**
  - Compatible with automatic placement equipment
  - Surface Mount assembly lamp
  - High efficiency low power consumption
  - Long life solid state reliability
- **TAPING AND PACKAGING SPECIFICATION**

ITEM	SYMBOL	SPECIFICATION			
		Minimum		Maximum	
		mm	inch	mm	inch
Tape Feed Hole Diameter (DIA)	$D_0$	1.40	0.055	1.60	0.063
Feed Hole Location	$E$	1.65	0.064	1.85	0.073
Centers Line Dimensions Length Direction	$F$	3.45	0.135	3.55	0.139
Compartment Depth	$K_0$	1.17	0.046	1.37	0.054
Compartment Pitch	$P$	3.90	0.153	4.10	0.161
Sprocket Hole Diameter	$P_0$	3.90	0.153	4.10	0.161
Centers Line Dimensions Length Direction	$P_2$	1.95	0.076	2.05	0.080
Carrier Tape Thickness	$t$			0.30	0.012
Carrier Tape Width	$W$	7.70	0.303	8.30	0.326
Flange Diameter	$A$	178.0	7.008	180.0	7.087
Hub Spindle Hole	$C$	12.50	0.492	13.50	0.531
Hub Diameter	$D_2$	70.00	2.755	72.00	2.830
Fixing Tape Width	$W_1$	5.25	0.206	5.35	0.210
Flange Space Between Flanges	$T$	12.50	0.492	13.50	0.531
Compartment Length	$A_0$	1.78	0.070	1.98	0.078
Compartment Width	$B_0$	3.40	0.134	3.60	0.142

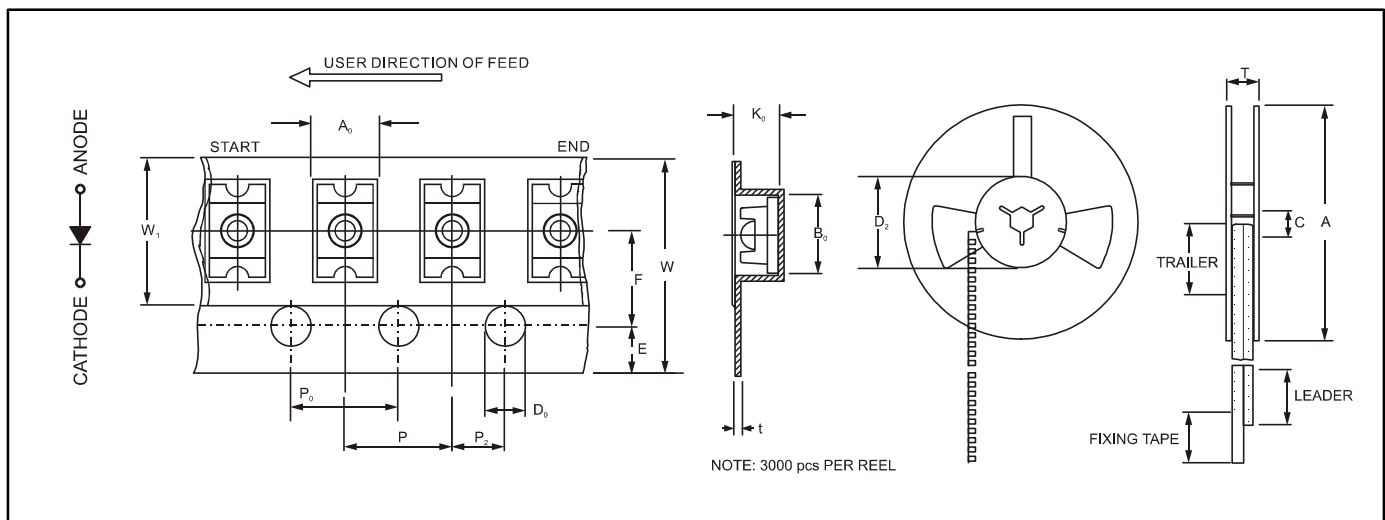




# TAPE AND REEL SURFACE MOUNT CHIP LED LAMPS

- **DEVICE NUMBER: BL-Hxxx3A-TRB**
- **FEATURES:**
  - Compatible with automatic placement equipment
  - Surface Mount assembly lamp
  - High efficiency low power consumption
  - Long life solid state reliability
- **TAPING AND PACKAGING SPECIFICATION**

ITEM	SYMBOL	SPECIFICATION			
		Minimum		Maximum	
		mm	inch	mm	inch
Tape Feed Hole Diameter (DIA)	$D_0$	1.40	0.055	1.60	0.063
Feed Hole Location	E	1.65	0.064	1.85	0.073
Centers Line Dimensions Length Direction	F	3.45	0.135	3.55	0.139
Compartment Depth	$K_0$	1.36	0.054	1.56	0.061
Compartment Pitch	P	3.90	0.153	4.10	0.161
Sprocket Hole Diameter	$P_0$	3.90	0.153	4.10	0.161
Centers Line Dimensions Length Direction	$P_2$	1.95	0.076	2.05	0.080
Carrier Tape Thickness	t			0.30	0.012
Carrier Tape Width	W	7.70	0.303	8.30	0.326
Flange Diameter	A	178.0	7.008	180.0	7.087
Hub Spindle Hole	C	12.50	0.492	13.50	0.531
Hub Diameter	$D_2$	70.00	2.755	72.00	2.830
Fixing Tape Width	$W_1$	5.25	0.206	5.35	0.210
Flange Space Between Flanges	T	12.50	0.492	13.50	0.531
Compartment Length	$A_0$	1.88	0.074	2.08	0.082
Compartment Width	$B_0$	3.37	0.133	3.57	0.141

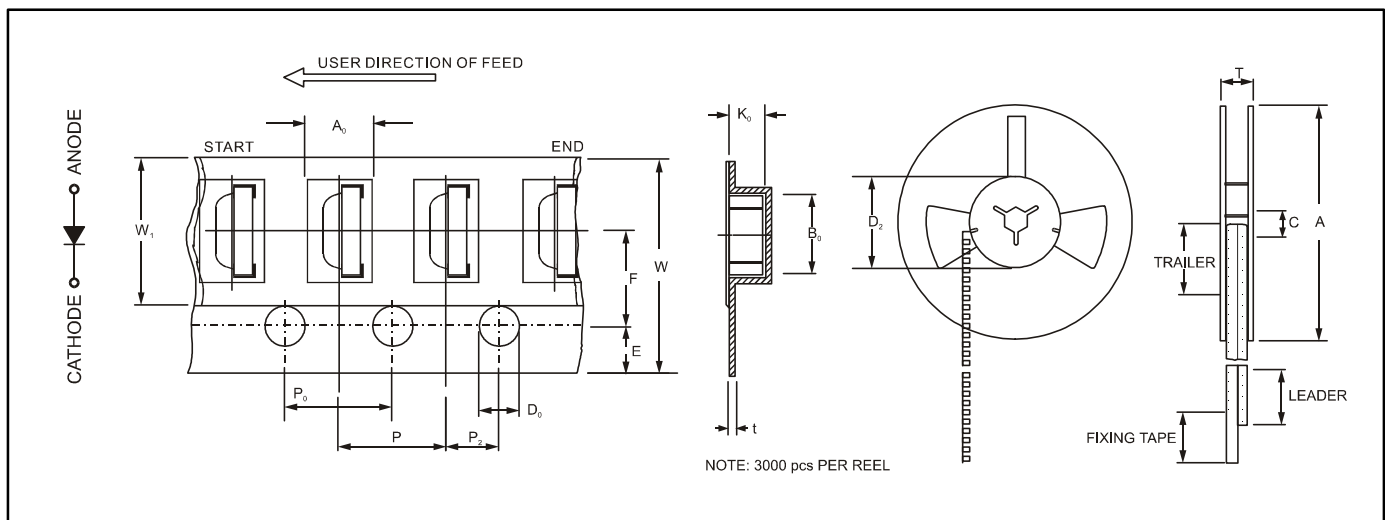




# TAPE AND REEL SURFACE MOUNT CHIP LED LAMPS

- **DEVICE NUMBER: BL-Hxxx4E-TRB**
- **FEATURES:**
  - Compatible with automatic placement equipment
  - Surface Mount assembly lamp
  - High efficiency low power consumption
  - Long life solid state reliability
- **TAPING AND PACKAGING SPECIFICATION**

ITEM	SYMBOL	SPECIFICATION			
		Minimum		Maximum	
		mm	inch	mm	inch
Tape Feed Hole Diameter (DIA)	$D_0$	1.40	0.055	1.60	0.063
Feed Hole Location	$E$	1.65	0.064	1.85	0.073
Centers Line Dimensions Length Direction	$F$	3.45	0.135	3.55	0.139
Compartment Depth	$K_0$	1.17	0.046	1.37	0.054
Compartment Pitch	$P$	3.90	0.153	4.10	0.161
Sprocket Hole Diameter	$P_0$	3.90	0.153	4.10	0.161
Centers Line Dimensions Length Direction	$P_2$	1.95	0.076	2.05	0.080
Carrier Tape Thickness	$t$			0.30	0.012
Carrier Tape Width	$W$	7.70	0.303	8.30	0.326
Flange Diameter	$A$	178.0	7.008	180.0	7.087
Hub Spindle Hole	$C$	12.50	0.492	13.50	0.531
Hub Diameter	$D_2$	70.00	2.755	72.00	2.830
Fixing Tape Width	$W_1$	5.25	0.206	5.35	0.210
Flange Space Between Flanges	$T$	12.50	0.492	13.50	0.531
Compartment Length	$A_0$	1.00	0.039	1.20	0.047
Compartment Width	$B_0$	2.15	0.085	2.35	0.093

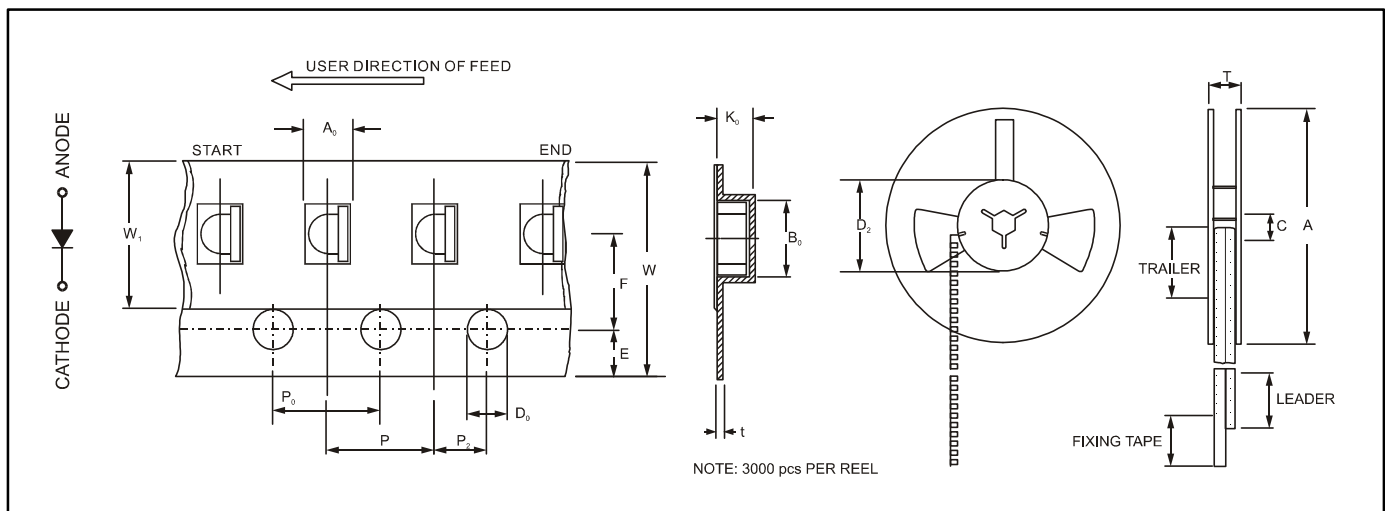




# TAPE AND REEL SURFACE MOUNT CHIP LED LAMPS

- **DEVICE NUMBER: BL-Hxxx4A-TRB**
- **FEATURES:**
  - Compatible with automatic placement equipment
  - Surface Mount assembly lamp
  - High efficiency low power consumption
  - Long life solid state reliability
- **TAPING AND PACKAGING SPECIFICATION**

ITEM	SYMBOL	SPECIFICATION			
		Minimum		Maximum	
		mm	inch	mm	inch
Tape Feed Hole Diameter (DIA)	$D_0$	1.40	0.055	1.60	0.063
Feed Hole Location	$E$	1.63	0.064	1.85	0.073
Centers Line Dimensions Length Direction	$F$	3.45	0.135	3.55	0.139
Compartment Depth	$K_0$	1.20	0.045	1.40	0.055
Compartment Pitch	$P$	3.90	0.153	4.10	0.161
Sprocket Hole Diameter	$P_0$	3.90	0.153	4.10	0.161
Centers Line Dimensions Length Direction	$P_2$	1.95	0.076	2.05	0.080
Carrier Tape Thickness	$t$			0.30	0.012
Carrier Tape Width	$W$	7.70	0.303	8.30	0.326
Flange Diameter	$A$	178.0	7.008	180.0	7.087
Hub Spindle Hole	$C$	12.50	0.492	13.50	0.531
Hub Diameter	$D_2$	70.00	2.755	72.00	2.830
Fixing Tape Width	$W_1$	5.25	0.206	5.35	0.210
Flange Space Between Flanges	$T$	16.00	0.629	18.40	0.724
Compartment Length	$A_0$	2.20	0.087	2.40	0.094
Compartment Width	$B_0$	3.20	0.126	3.40	0.134



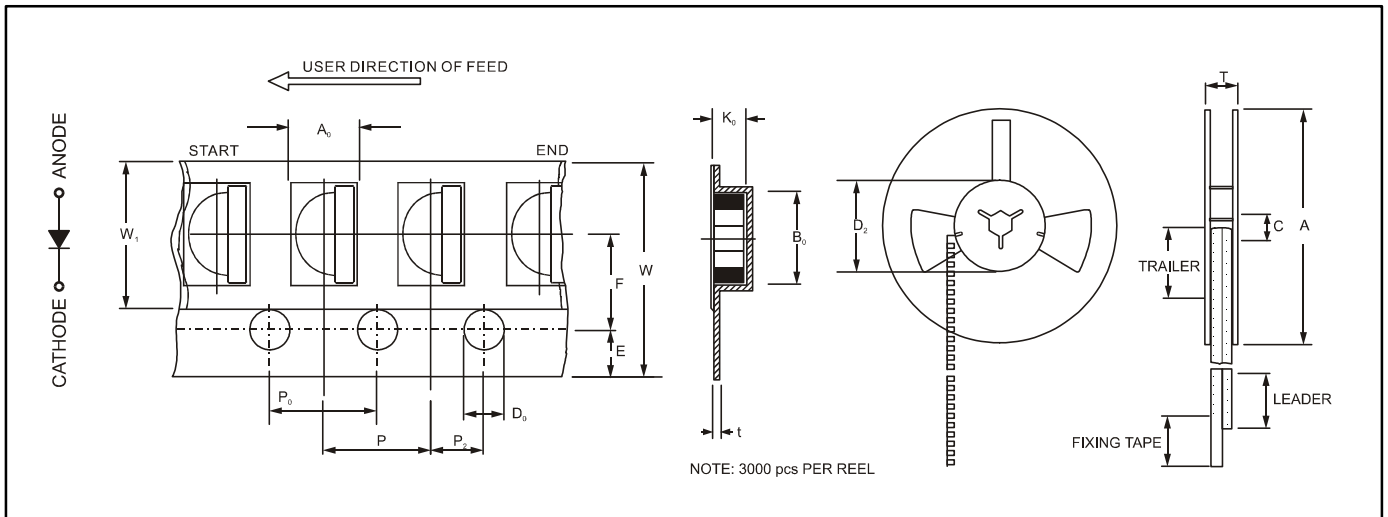




# TAPE AND REEL SURFACE MOUNT CHIP LED LAMPS

- **DEVICE NUMBER: BL-Hxxx4C-TRB**
- **FEATURES:**
  - Compatible with automatic placement equipment
  - Surface Mount assembly lamp
  - High efficiency low power consumption
  - Long life solid state reliability
- **TAPING AND PACKAGING SPECIFICATION**

ITEM	SYMBOL	SPECIFICATION			
		Minimum		Maximum	
		mm	inch	mm	inch
Tape Feed Hole Diameter (DIA)	$D_0$	1.40	0.055	1.60	0.063
Feed Hole Location	$E$	1.65	0.064	1.85	0.073
Centers Line Dimensions Length Direction	$F$	3.45	0.135	3.55	0.139
Compartment Depth	$K_0$	1.12	0.044	1.32	0.052
Compartment Pitch	$P$	3.90	0.153	4.10	0.161
Sprocket Hole Diameter	$P_0$	3.90	0.153	4.10	0.161
Centers Line Dimensions Length Direction	$P_2$	1.95	0.076	2.05	0.080
Carrier Tape Thickness	$t$			0.30	0.012
Carrier Tape Width	$W$	7.70	0.303	8.30	0.326
Flange Diameter	$A$	178.0	7.008	180.0	7.087
Hub Spindle Hole	$C$	12.50	0.492	13.50	0.531
Hub Diameter	$D_2$	70.00	2.755	72.00	2.830
Fixing Tape Width	$W_1$	5.25	0.206	5.35	0.210
Flange Space Between Flanges	$T$	12.50	0.492	13.50	0.531
Compartment Length	$A_0$	1.78	0.070	1.98	0.078
Compartment Width	$B_0$	3.33	0.131	3.53	0.139

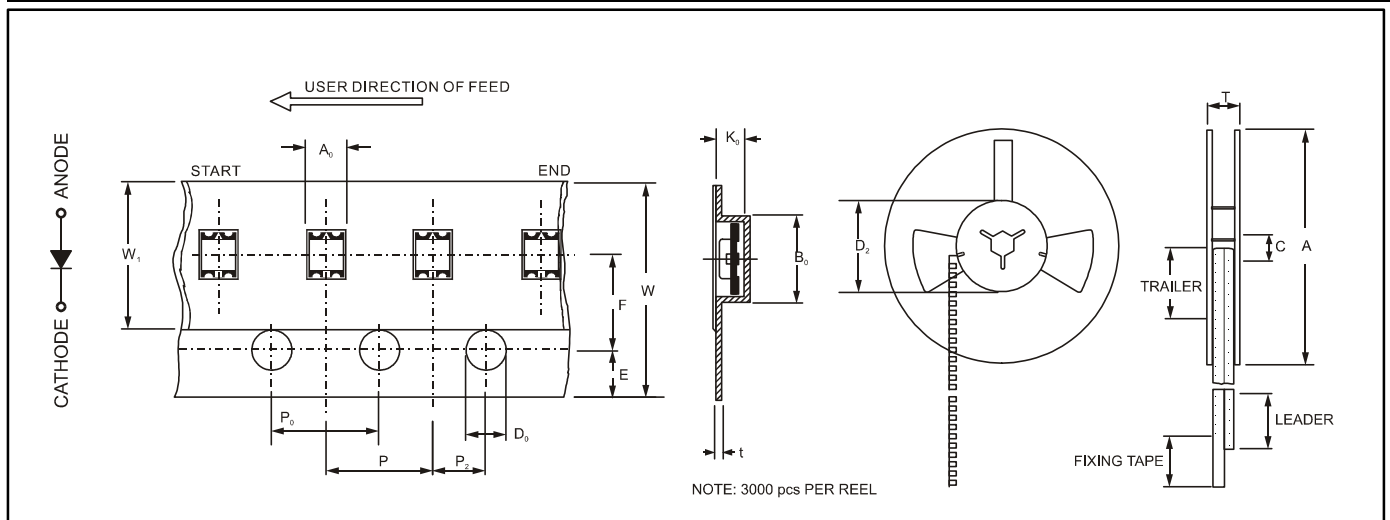




# TAPE AND REEL SURFACE MOUNT CHIP LED LAMPS

- **DEVICE NUMBER: BL-Hxxxxx6H-TRB**
- **FEATURES:**
  - Compatible with automatic placement equipment
  - Surface Mount assembly lamp
  - High efficiency low power consumption
  - Long life solid state reliability
- **TAPING AND PACKAGING SPECIFICATION**

ITEM	SYMBOL	SPECIFICATION			
		Minimum		Maximum	
		mm	inch	mm	inch
Tape Feed Hole Diameter (DIA)	$D_0$	1.40	0.055	1.60	0.063
Feed Hole Location	$E$	1.65	0.064	1.85	0.073
Centers Line Dimensions Length Direction	$F$	3.45	0.135	3.55	0.139
Compartment Depth	$K_0$	0.45	0.018	0.55	0.054
Compartment Pitch	$P$	3.90	0.153	4.10	0.161
Sprocket Hole Diameter	$P_0$	3.90	0.153	4.10	0.161
Centers Line Dimensions Length Direction	$P_2$	1.95	0.076	2.05	0.080
Carrier Tape Thickness	$t$			0.30	0.012
Carrier Tape Width	$W$	7.70	0.303	8.30	0.326
Flange Diameter	$A$	178.0	7.008	180.0	7.087
Hub Spindle Hole	$C$	12.50	0.492	13.50	0.531
Hub Diameter	$D_2$	70.00	2.755	72.00	2.830
Fixing Tape Width	$W_1$	5.25	0.206	5.35	0.210
Flange Space Between Flanges	$T$	12.50	0.492	13.50	0.531
Compartment Length	$A_0$	1.35	0.053	1.45	0.115
Compartment Width	$B_0$	1.70	0.067	1.80	0.136





# TAPE AND REEL SURFACE MOUNT CHIP LED LAMPS

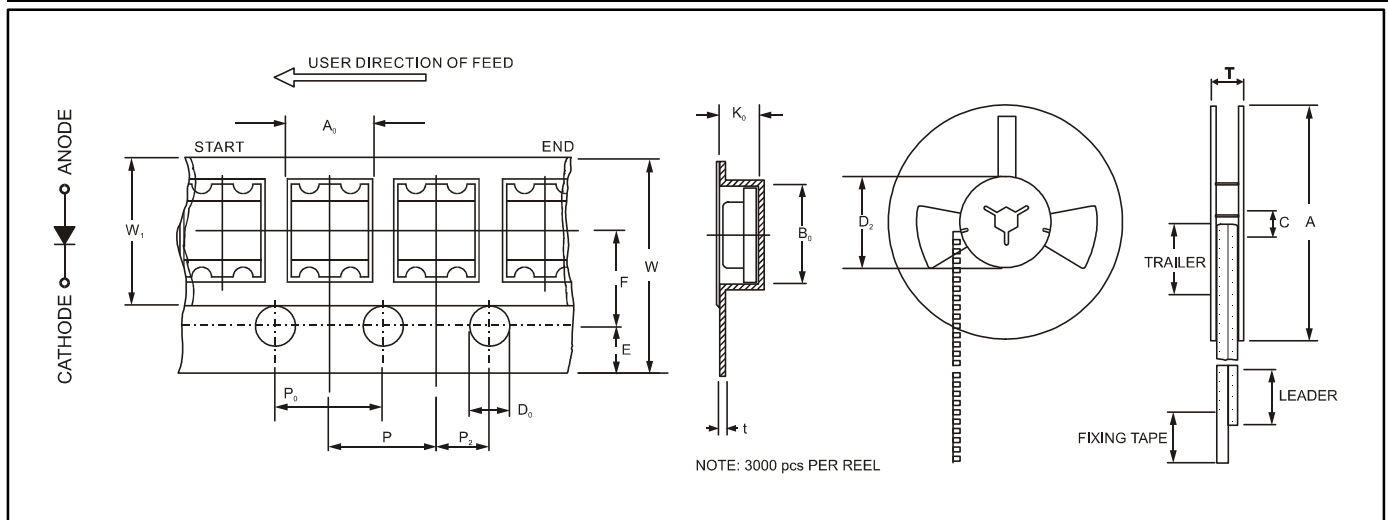
● **DEVICE NUMBER:** BL-Hxxxxx3B-TRB , BL-Hxxxxxxx3F-TRB , BL-Hxxxxxxx3T-TRB

● **FEATURES:**

- Compatible with automatic placement equipment
- Surface Mount assembly lamp
- High efficiency low power consumption
- Long life solid state reliability

● **TAPING AND PACKAGING SPECIFICATION**

ITEM	SYMBOL	SPECIFICATION			
		Minimum		Maximum	
		mm	inch	mm	inch
Tape Feed Hole Diameter (DIA)	$D_0$	1.40	0.055	1.60	0.063
Feed Hole Location	$E$	1.65	0.064	1.85	0.073
Centers Line Dimensions Length Direction	$F$	3.45	0.135	3.55	0.139
Compartment Depth	$K_0$	1.17	0.046	1.37	0.054
Compartment Pitch	$P$	3.90	0.153	4.10	0.161
Sprocket Hole Diameter	$P_0$	3.90	0.153	4.10	0.161
Centers Line Dimensions Length Direction	$P_2$	1.95	0.076	2.05	0.080
Carrier Tape Thickness	$t$			0.30	0.012
Carrier Tape Width	$W$	7.70	0.303	8.30	0.326
Flange Diameter	$A$	178.0	7.008	180.0	7.087
Hub Spindle Hole	$C$	12.50	0.492	13.50	0.531
Hub Diameter	$D_2$	70.00	2.755	72.00	2.830
Fixing Tape Width	$W_1$	5.25	0.206	5.35	0.210
Flange Space Between Flanges	$T$	12.50	0.492	13.50	0.531
Compartment Length	$A_0$	2.72	0.107	2.92	0.115
Compartment Width	$B_0$	3.25	0.128	3.45	0.136





# TAPE AND REEL SURFACE MOUNT CHIP LED LAMPS

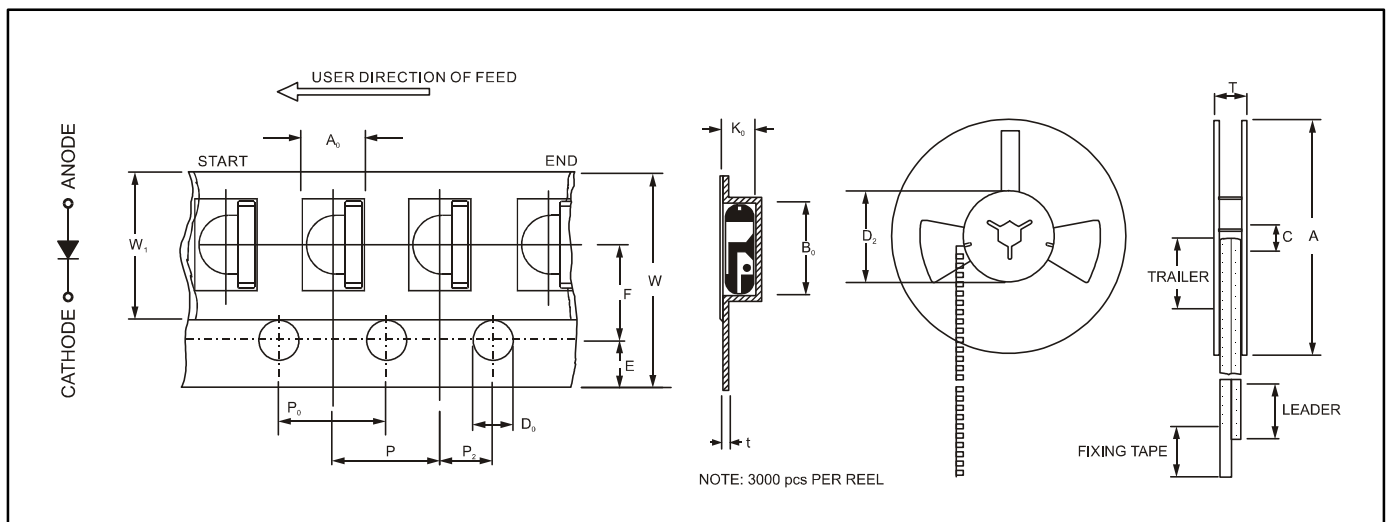
● **DEVICE NUMBER: BL-Hxxxxx4B-TRB**

● **FEATURES:**

- Compatible with automatic placement equipment
- Surface Mount assembly lamp
- High efficiency low power consumption
- Long life solid state reliability

● **TAPING AND PACKAGING SPECIFICATION**

ITEM	SYMBOL	SPECIFICATION			
		Minimum		Maximum	
		mm	inch	mm	inch
Tape Feed Hole Diameter (DIA)	$D_0$	1.40	0.055	1.60	0.063
Feed Hole Location	E	1.65	0.064	1.85	0.073
Centers Line Dimensions Length Direction	F	3.45	0.135	3.55	0.139
Compartment Depth	$K_0$	1.20	0.047	1.40	0.055
Compartment Pitch	P	3.90	0.153	4.10	0.161
Sprocket Hole Diameter	$P_0$	3.90	0.153	4.10	0.161
Centers Line Dimensions Length Direction	$P_2$	1.95	0.076	2.05	0.080
Carrier Tape Thickness	t			0.30	0.012
Carrier Tape Width	W	7.70	0.303	8.30	0.326
Flange Diameter	A	178.0	7.008	180.0	7.087
Hub Spindle Hole	C	12.50	0.492	13.50	0.531
Hub Diameter	$D_2$	70.00	2.755	72.00	2.830
Fixing Tape Width	$W_1$	5.25	0.206	5.35	0.210
Flange Space Between Flanges	T	16.00	0.629	18.40	0.724
Compartment Length	$A_0$	2.20	0.087	2.40	0.094
Compartment Width	$B_0$	3.20	0.126	3.40	0.134

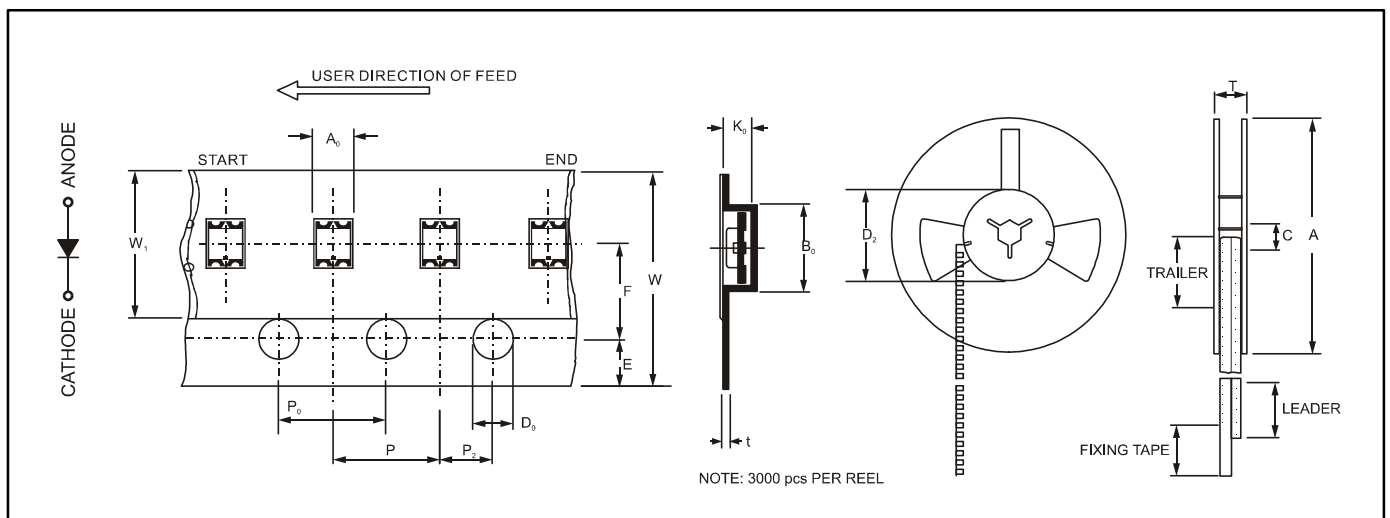




# TAPE AND REEL SURFACE MOUNT CHIP LED LAMPS

- **DEVICE NUMBER: BL-Hxxxxxxx6T-TRB**
- **FEATURES:**
  - Compatible with automatic placement equipment
  - Surface Mount assembly lamp
  - High efficiency low power consumption
  - Long life solid state reliability
- **TAPING AND PACKAGING SPECIFICATION**

ITEM	SYMBOL	SPECIFICATION			
		Minimum		Maximum	
		mm	inch	mm	inch
Tape Feed Hole Diameter (DIA)	$D_0$	1.40	0.055	1.60	0.063
Feed Hole Location	$E$	1.65	0.064	1.85	0.073
Centers Line Dimensions Length Direction	$F$	3.45	0.135	3.55	0.139
Compartment Depth	$K_0$	0.60	0.022	0.80	0.031
Compartment Pitch	$P$	3.90	0.153	4.10	0.161
Sprocket Hole Diameter	$P_0$	3.90	0.153	4.10	0.161
Centers Line Dimensions Length Direction	$P_2$	1.95	0.076	2.05	0.080
Carrier Tape Thickness	$t$			0.30	0.012
Carrier Tape Width	$W$	7.70	0.303	8.30	0.326
Flange Diameter	$A$	178.0	7.008	180.0	7.087
Hub Spindle Hole	$C$	12.50	0.492	13.50	0.531
Hub Diameter	$D_2$	70.00	2.755	72.00	2.830
Fixing Tape Width	$W_1$	5.25	0.206	5.35	0.210
Flange Space Between Flanges	$T$	12.50	0.492	13.50	0.531
Compartment Length	$A_0$	1.63	0.064	1.83	0.072
Compartment Width	$B_0$	1.65	0.065	1.85	0.073

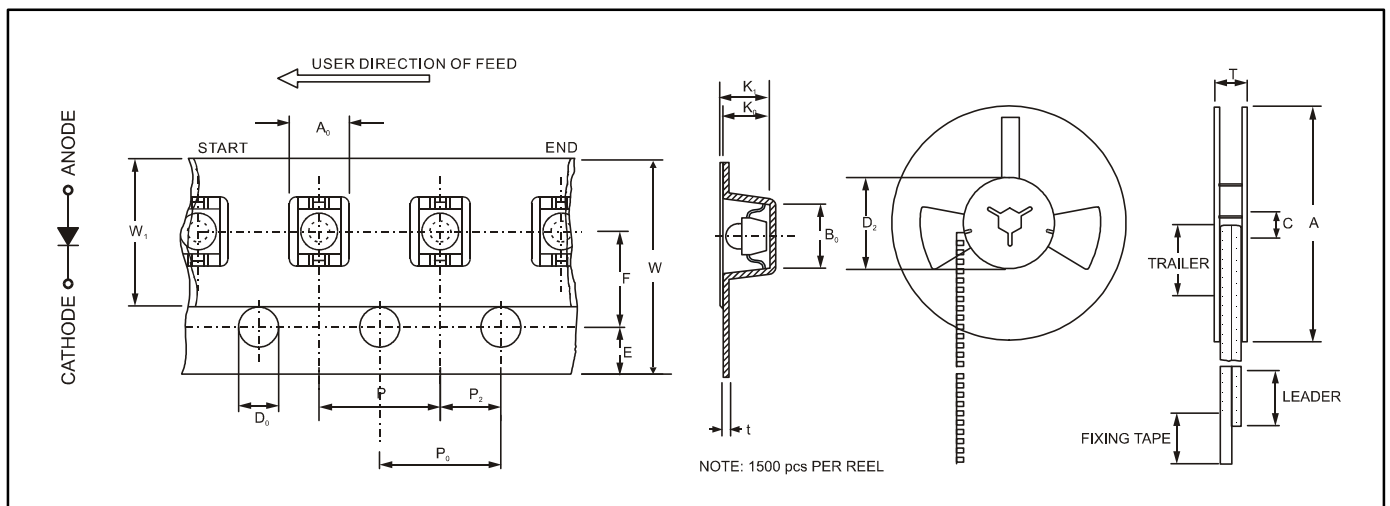




# APE AND REEL AXIAL LED LAMPS WITH “GULL WING” LEAD

- **DEVICE NUMBER: BL-Xxx61-TR7**
- **FEATURES:**
  - Compatible with automatic placement equipment
  - Surface Mount assembly lamp
  - High efficiency low power consumption
  - Long life solid state reliability
- **TAPING AND PACKAGING SPECIFICATION**

ITEM	SYMBOL	SPECIFICATION			
		Minimum		Maximum	
		mm	inch	mm	inch
Tape Feed Hole Diameter (DIA)	D <sub>0</sub>	1.40	0.055	1.55	0.061
Feed Hole Location	E	1.65	0.065	1.85	0.072
Centers Line Dimensions Length Direction	F	5.45	0.215	5.55	0.218
Compartment Depth	K <sub>0</sub>	3.10	0.122	3.30	0.130
Carrier Tape Overall Thickness	K			2.40	0.094
Compartment Pitch	P	3.90	0.153	4.10	0.161
Sprocket Hole Diameter	P <sub>0</sub>	3.90	0.153	4.10	0.161
Centers Line Dimensions Length Direction	P <sub>2</sub>	1.95	0.076	2.05	0.080
Carrier Tape Thickness	t			0.30	0.012
Carrier Tape Width	W	12.00	0.472	12.30	0.484
Flange Diameter	A	178.0	7.008	180.0	7.087
Hub Spindle Hole	C	12.50	0.492	13.50	0.531
Hub Diameter	D <sub>2</sub>	20.00	0.788	21.50	0.846
Fixing Tape Width	W <sub>1</sub>	9.00	0.354	9.30	0.366
Flange Space Between Flanges	T	16.00	0.629	18.40	0.724
Compartment Length	A <sub>0</sub>	2.20	0.087	2.40	0.094
Compartment Width	B <sub>0</sub>	3.90	0.154	4.10	0.161

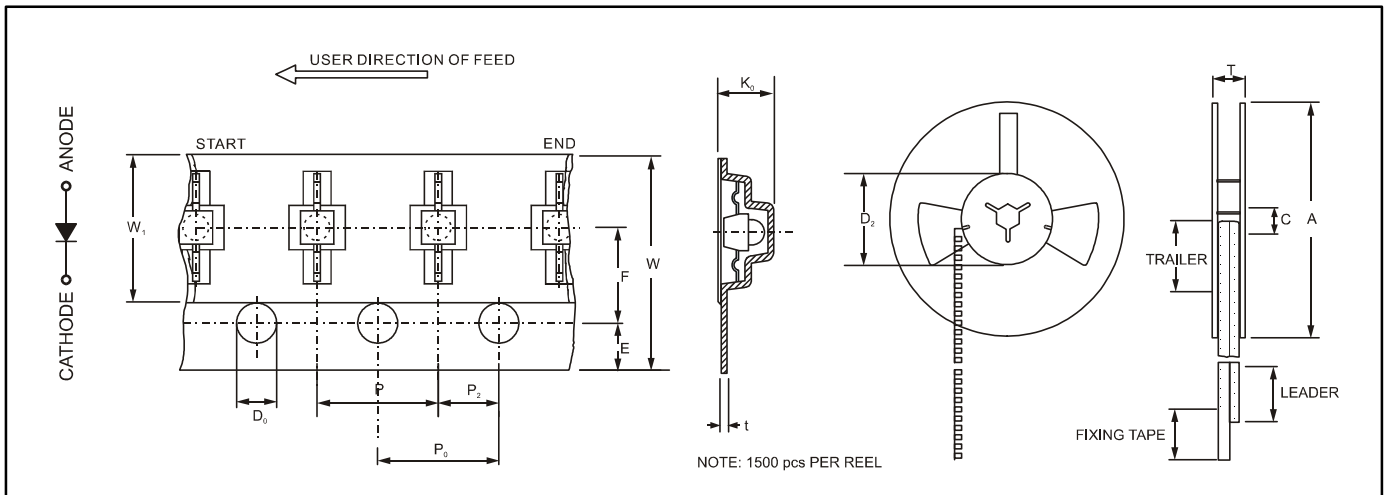




# TAPE AND REEL AXIAL LED LAMPS WITH “YOKE” LEAD

- **DEVICE NUMBER: BL-Xxx61-TR8**
- **FEATURES:**
  - Compatible with automatic placement equipment
  - Surface Mount assembly lamp
  - High efficiency low power consumption
  - Long life solid state reliability
- **TAPING AND PACKAGING SPECIFICATION**

ITEM	SYMBOL	SPECIFICATION			
		Minimum		Maximum	
		mm	inch	mm	inch
Tape Feed Hole Diameter (DIA)	D <sub>0</sub>	1.40	0.055	1.55	0.061
Feed Hole Location	E	1.65	0.065	1.85	0.072
Centers Line Dimensions Length Direction	F	5.45	0.215	5.55	0.218
Compartment Depth	K <sub>0</sub>	3.02	0.119	3.22	0.127
Compartment Pitch	P	3.90	0.153	4.10	0.161
Sprocket Hole Diameter	P <sub>0</sub>	3.90	0.153	4.10	0.161
Centers Line Dimensions Length Direction	P <sub>2</sub>	1.95	0.076	2.05	0.080
Carrier Tape Thickness	t			0.30	0.012
Carrier Tape Width	W	12.00	0.472	12.30	0.484
Flange Diameter	A	178.0	7.008	180.0	7.087
Hub Spindle Hole	C	12.50	0.492	13.50	0.531
Hub Diameter	D <sub>2</sub>	20.00	0.788	21.50	0.846
Fixing Tape Width	W <sub>1</sub>	9.00	0.354	9.30	0.366
Flange Space Between Flanges	T	16.00	0.629	18.40	0.724
Compartment Length	A <sub>0</sub>	2.29	0.090	2.49	0.098
Compartment Width	B <sub>0</sub>	7.62	0.300	7.82	0.308





# TAPE AND REEL AXIAL LED LAMPS WITH "Z" BENT LEAD

- **DEVICE NUMBER: BL-Xxx61-TR9**
- **FEATURES:**
  - Compatible with automatic placement equipment
  - Surface Mount assembly lamp
  - High efficiency low power consumption
  - Long life solid state reliability
- **TAPING AND PACKAGING SPECIFICATION**

ITEM	SYMBOL	SPECIFICATION			
		Minimum		Maximum	
		mm	inch	mm	inch
Tape Feed Hole Diameter (DIA)	$D_0$	1.40	0.055	1.55	0.061
Feed Hole Location	E	1.65	0.065	1.85	0.072
Centers Line Dimensions Length Direction	F	5.45	0.215	5.55	0.218
Compartment Depth	$K_0$	3.00	0.118	3.20	0.126
Compartment Pitch	P	3.90	0.153	4.10	0.161
Sprocket Hole Diameter	$P_0$	3.90	0.153	4.10	0.161
Centers Line Dimensions Length Direction	$P_2$	1.95	0.076	2.05	0.080
Carrier Tape Thickness	t			0.30	0.012
Carrier Tape Width	W	12.00	0.472	12.30	0.484
Flange Diameter	A	178.0	7.008	180.0	7.087
Hub Spindle Hole	C	12.50	0.492	13.50	0.531
Hub Diameter	$D_2$	20.00	0.788	21.50	0.846
Fixing Tape Width	$W_1$	9.00	0.354	9.30	0.366
Flange Space Between Flanges	T	16.00	0.629	18.40	0.724
Compartment Length	$A_0$	1.87	0.074	2.07	0.081
Compartment Width	$B_0$	6.30	0.248	6.50	0.256

